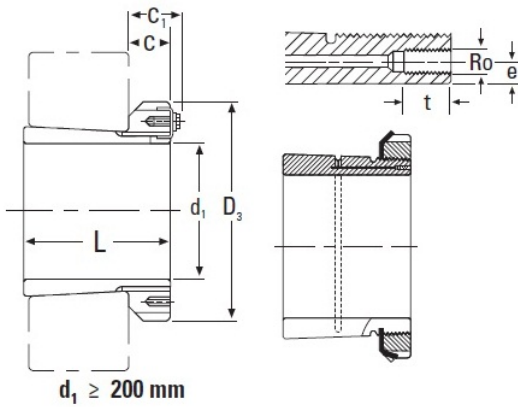




NTN-BOWER LTD.



TIMKEN OH3284H FRANCE Bearing 100x165x65

Bearing No. OH3284H

| | |
|---------------------------|-----------|
| d1 | 400.00 mm |
| L ¹ | 352.00 mm |
| C | 70 mm |
| G | Tr420x5 |
| D ₃ | 540 mm |
| Weight | 96.00 Kg |
| C ₁ | 90.00 mm |
| Ro | M6 |
| e | 4 mm |
| t | 9 mm |
| Locknut | HM3184 |
| Lockwasher and Lockplates | MS3184 |
| Appropriate Hydraulic Nut | HMV84 |

OH3284H Bearing 2D drawings and 3D CAD models