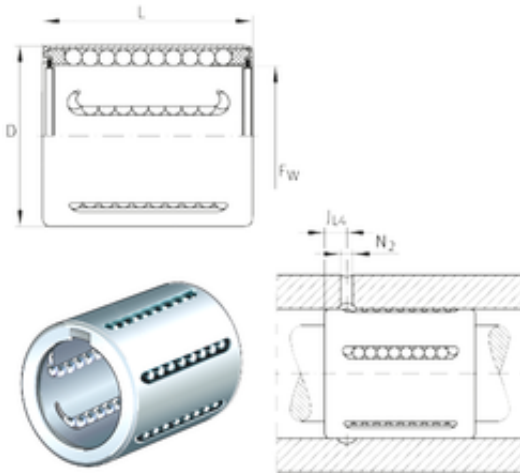




NTN-BOWER LTD.

INA KH30-PP GERMANY Bearing 30*40*50

Bearing No. KH30-PP



Bore Diameter	30 mm
Outer Diameter	40 mm
Fw	30 mm
D	40 mm
N2	2,5 mm
L	50 mm
JL4	8 mm
Weight	0,095 Kg
Basic dynamic load rating (C)	3,3 kN

KH30-PP Bearing 2D drawings and 3D CAD models