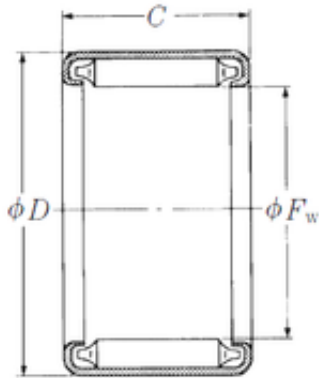




NTN-BOWER LTD.

NSK BH-810 JAPAN Bearing



Bearing No. BH-810

Size	12.7x19.05x15.88 mm
Bore Diameter	12,7 mm
Outer Diameter	19,05 mm
Width	15,88 mm
Fw	12,7 mm
D	19,05 mm
C	15,88 mm
Weight	0,014 Kg
Basic dynamic load rating (C)	13,8 kN

BH-810 Bearing 2D drawings and 3D CAD models