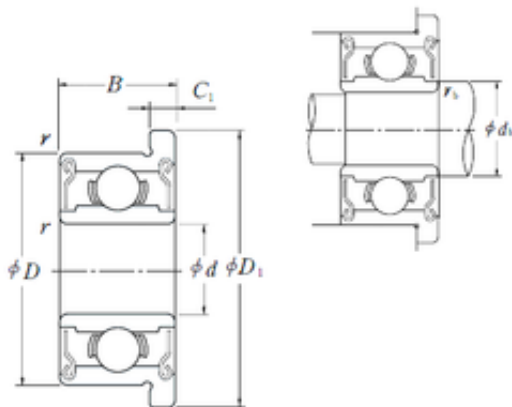




NTN-BOWER LTD.



3 mm x 10 mm x 4 mm NSK F623ZZ JAPAN Bearing 3*7*2

Bearing No. F623ZZ

F623ZZ Bearing 2D drawings and 3D CAD models

Dimensione	3x11.5x4 mm
Marchio	NSK
Diametro del foro	3 mm
Diametro esterno	11,5 mm
Larghezza	4 mm
d	3 mm
D	10 mm
D1	11,5 mm
B	4 mm
r min.	0,15 mm
C1	1 mm
db max.	4,3 mm
rb max.	0,15 mm
Peso	1,86 Kg
Carico dinamico di base (C)	630 kN
Carico statico di base (C0)	218 kN
ISR	0.89
hidYobi	F623ZZ
LangID	1
D_	10
SREX	0.02
C	0.63
B_	4
Tavolo nascosto	ecat_NSESBMF
C0r	22



NTN-BOWER LTD.

SRE	0.89
rb	0.15
massa	1.86
GRS rpm	50000
SRIX	0.02
Cr	64
SRIN	0
C_1	1
C0	0.218
C2	1
per	12.35
SREN	0
D_1	11.5
DE_	7.528
Prod_Type3	ESM_MD_WF_ZZ
db	4.3
DA_	1.588
Z_	7
yobi	F623ZZ
SDM_	5.94
KBRG	6141
D2	11.5
r1	0.15
DI_	4.352
B1	4